

# Operating and mounting manual Safety shut off valve gas – pneumatic valve EPVA...N(H).(MZ)...

## Contents

### 1.0 General Remarks

- 1.1 Valve data
- 1.2 Application

### 2.0 Danger Notices

- 2.1 Safety terms
- 2.2 Safety notice
- 2.3 Qualified staff
- 2.4 Unauthorized modification and spare part production
- 2.5 Unauthorized operation
- 2.6 Safety information for the use in explosion-prone areas guideline 2014/34/EU

### 3.0 Handling

- 3.1 Transport
- 3.2 Storage
- 3.3 Handling before mounting

### 4.0 Product Description

- 4.1 Function
- 4.2 Adjusting main flow rates (EPVA..N(H).MZ..)
- 4.3 Adjusting opening delay (EPVA...N(H).MZ..)
- 4.4 Technical data
- 4.5 Marking

### 5.0 Installation

- 5.1 Warning of dangers during installation, operation and maintenance
- 5.2 Installation

### 6.0 Operation

- 6.1 Commissioning
- 6.2 Shutting down
- 6.3 Maintenance
- 6.4 Putting back into operating

### 7.0 Troubleshooting

- 7.1 Detection of defects
- 7.2 Troubleshooting plan

### 8.0 Dismantling of the Valve

- 8.1 Visual inspection
- 8.2 Replacement of wear parts
- 8.3 Removal of the hydraulic opening delay (EPVA..N(H).MZ..)

### 9.0 Warranty

## 10.0 Explanations on Codes and Directives

### 11.0 Drawing

- 11.1 Fig.1 Sectional drawing EPVA..N.(MZ)..
- Fig.2 Sectional drawing EPVA..NH.(MZ)..
- Fig.3 EPVA without opening delay
- 11.2 Opening delay
- 11.3 Control valve
- 11.4 Projection
- 11.5 List of parts
- 11.6 Spare part
- 11.7 Dimension

### 12.0 Declaration of Conformity

## 1.0 General Remarks

This operating manual includes instructions to assemble and operate the valve in the prescribed and safe way. **Additionally and accordance with the solenoid drive of the control valve (805), the relevant manufacturer's operating instructions (BTA) must be taken into consideration.**

If any difficulties appear that can not be solved by means of the operating manual, further information may be demanded from the manufacturer.

This operating manual is in accordance with the relevant valid EN safety standards and the valid prescriptions and rules of the Federal Republic of Germany. If the solenoids are used abroad of the FRG, the operator and/or the person who is responsible for the plant concept must take care that the valid national rules are met. The manufacturer reserves the right of any technical change and improvement. The use of these operating instructions suppose the qualification of the user according to paragraph 2.3 "qualified staff". The operating staff must be trained in accordance with the operating instructions. The operating manual must always be available at the location where used.

### 1.1 Valve data

#### Manufacturer:

UNI Geräte E. Mangelmann  
Elektrotechnische Fabrik GmbH  
Holtumsweg 13  
D-47652 Weeze  
Telefon: +49 (0) 2837/9134-0  
Fax: +49 (0) 2837/1444  
E-Mail: [info@uni-geraete.de](mailto:info@uni-geraete.de)  
Homepage: [www.uni-geraete.de](http://www.uni-geraete.de)

#### Designation

Directly functioning, currentless closed (NC), spring safety shut off valve with pneumatic drive.

#### Type test acc.

to EU/2016/426, Prod. ID. no.: CE-0085AQ0211

#### DIN EN 161

Kl. A, Gr. 2

#### DIN EN 16678

Gr. A

#### Working pressure:

0,5-4-EPVA..N(H).(MZ)..	0,5 bar
1- 4- EPVA..N(H).(MZ)..	1 bar
2- 4- EPVA..N(H).(MZ)..	2 bar
3- 6- EPVA..N(H).(MZ)..	3 bar
5- 4- EPVA..N(H).(MZ)..	5 bar
6- 4- EPVA..N(H).(MZ)..	6 bar
6- 6- EPVA..N(H).(MZ)..	6 bar
10- 6- EPVA..N(H).(MZ)..	10 bar

#### Ambient temperature:

-20°C bis + 60°C

#### Medium temperature:

-20°C bis + 100°C

#### Fitting position:

vertical or horizontal drive.

#### Switching cycles:

300 cycles/h

Flange connection measures acc. to DIN EN 1092-2 / ANSI

Flange DN Flange ANSI	PN	15 1/2"	20 3/4"	25 1"	32 1 1/4"	40 1 1/2"	50 2"	65 2 1/2"	Test pressure (*) PT
05-4-EPVA...N(H)..	10-40	-	-	-	-	-	-	X	PT 6
1-4-EPVA...N(H)..	10-40	-	-	-	-	-	X	-	PT 6
2-4-EPVA...N(H)..	10-40	-	-	-	-	X	-	-	PT 6
3-6-EPVA...N(H)..	10-40	-	-	-	-	-	X	-	PT 6
5-4-EPVA...N(H)..	10-40	X	X	X	-	-	-	-	PT 16
6-4-EPVA...N(H)..	10-40	-	-	-	X	-	-	-	PT 16
6-6-EPVA...N(H)..	10-40	-	-	-	-	X	-	-	PT 16
10-6-EPVA...N(H)..	10-40	-	-	X	X	-	-	-	PT 16

(\*) Test pressure to perform leakage test "No FUNCTION TEST"

X Type test acc. To EU/2016/426, O Acceptance test certificate 3.2 possible, - not available,

**Control medium:** Air, nitrogen -20°C up to + 60°C  
**Control pressure:** Min. –control pressure, second number on the type plate  
 Max. –control pressure 4-10bar  
**Electric connection control valve:** Notice instructions on type plate of control valve.

## 1.2 Application

The UNI Geräte gas – pneumatic valve EPVA...N(H).(MZ)... are used as automatic safety shut off valves to secure, to limit, shut-off and release gas and air supply at main shut-off devices or in front of gas burners e.g. acc. to DIN EN 746-2 or EN 12952-8.

The valves are suitable for gases of the 1<sup>st</sup>, 2<sup>nd</sup> and 3<sup>rd</sup> gas families to G260 and for neutral gases and as a variant with material design for aggressive gases such as e.g. biogas, sewage plant gas or dump gas to G262.

If used in other cases, the operator must carefully check if construction/design of valve, accessories and materials are suitable for the new application. The range of application is subject to the responsibility of the plant planner. The service life of the valve is 20 years.

## 2.0 Danger Notices

### 2.1 Safety terms

The signal terms DANGER, CAUTION und NOTICE are used in this operating manual in case of notices concerning special dangers, or for unusual information, requiring a special marking.



**DANGER!** means that in case of non-observance there is danger to life and/or considerable damage.



**CAUTION!** means that in case of non-observance there is danger of injury and/or damage.



**NOTICE!** means that attention is drawn to technical correlations/connections.

Observance of other, not especially marked notices concerning transport, assembly, operation and maintenance and other data (in the operating manual, product documentation and at the unit itself) is also essential, in order to avoid disturbances that might affect direct or indirect damage to property or injury to persons.

## 2.2 Safety notice

Non observance of safety instructions can lead to loss of any claim for damages.

Non observance can lead to the following mentioned dangers:

- Failure of important functions of the valve/plant
- Endangering of persons by electrical or mechanical influences.
- Protection against accidental contact for moving parts may not be removed as long as the valve is in operation.
- Leakage of dangerous media (e.g. explosive, toxic, hot) must be removed in the way that there is no danger for persons or environment. Laws and regulations must be observed.

## 2.3 Qualified staff

These are persons who are familiar with erection, assembly, starting, operation and maintenance of the product and who have special qualifications acc. to their activities and functions, e.g.:

- Instruction and obligation to carry out and meet all regional and in-house orders and requirements.
- Education or instruction according to the safety engineering standards in use and maintenance of adequate safety and working protection equipment.
- Training in first aid.

## 2.4 Unauthorized modification and spare part production

Modification or changes of the valve are only allowed after agreement of the manufacturer. Original drawings and accessories authorized by the manufacturer are for safety purposes. The use of other parts or unauthorized constructive changes at the valve by third persons may cancel and abolish the manufacturer's liability for resulting consequences.

## 2.5 Unauthorized operation

Operational reliability of the delivered valve is only guaranteed in case of determined use in accordance to paragraph 1 of the operating manual. **The application limits mentioned on the type sign may on no account be exceeded.**

## 2.7 Safety information for the use in explosion-prone areas guideline 2014/34/EU

- The temperature of the medium must not exceed the respective temperature class, and respectively, the respective maximum permitted medium temperature as per operation guideline.
- If the valve is heated (e.g. heating jacket), care must be taken, that the specified temperature class is kept in the time.
- The valve must be connected to the ground.  
In the case most simple this can be realized via pipe screws by means of tooth disc.  
Otherwise the connection to the ground must be implemented by other measures e.g. cable links.
- Control valves, electrical and electrical/mechanical drives as well as sensors must undergo a separate conformity check as per ATEX. In doing so the respective safety and explosion protection information in the operation instructions are to taken into special consideration.
- Any modifications whatsoever to the valve are not allowed. The ATEX approval is void with immediate effect if the valve is modified without prior authorisation (even including painting).
- UNI-Geräte GmbH must be consulted before any modifications are made.

Furthermore we point out the guideline ATEX 118a, which include the minimum regulations for the improvement of the health-related situation and the safety of the employees, who might be jeopardized by an explosive atmosphere.

### 3.0 Handling

#### 3.1 Transport

For any transport works, the generally recognised technical rules and standards as well as rules for prevention of accidents must be observed.

In case of transport, storage and stopping, the flange protection caps must be mounted at both valve flanges.

The goods to be transported must be carefully treated. During transport, the valve must be protected against strokes, impacts or vibration. The coat of lacquer may not be damaged. Transport temperature is  $-20^{\circ}\text{C}$  up to  $+60^{\circ}\text{C}$ .

#### **Never transport the valve at pneumatic drive piping/ tubing or components.**

Transport the valve in a box or on a pallet with soft base and it smoothly on even floor. **Never put valve on the piping/ tubing or its components.**

The goods must be checked on completeness and transport damage. See also section 9.0

#### 3.2 Storage

If the valve is not installed immediately after delivery, it must be stored properly.

- Storage temperature  $-20^{\circ}\text{C}$  up to  $+60^{\circ}\text{C}$ , dry and clean.
- The lacquer protects against corrosion in neutral dry atmosphere. Do not damage colour.
- In humid rooms, a drying agent or a heating resp. is necessary because of condensation of water.

Requirements according to DIN 7716 (products made of caoutchouc and rubber) must be met.

#### 3.3 Handling before mounting

- In case of valve with protection caps, they must be removed before being mounted!
- Protect against atmospheric influences such as humidity.
- Appropriate treatment protects against damage.

### 4.0 Product Description

The UNI-Geräte gas-pneumatic valves EPVA...N(H).(MZ)... are a directly controlled, currently-closed, quickly closing safety shut-off valve acc. to DIN EN 16678 and DIN EN 161 with pneumatic drive.

The drive is actuated by a 3/2 way control valve with solenoid drive, type 10-EVD 2/96....

The sectional drawing part 11.1 Fig.1, Fig. 2 and Fig. 3 shows the valve construction.

#### 4.1 Function

When opening the 3/2 way control valve (805) the control medium flows via the connection 1  $\rightarrow$  2 under the drive piston (217). The control medium pushes the drive piston (217) against the pressure spring (503) and opens- via the valve spindle (205) the valve disk (200) that is pressure impinged. The valve is open.

The valve closes in case of shut-off, failure or interruption of power energy to control valve (805). The compressed control valve in the pneumatic drive is blown-off via the control valve (805).

#### 4.2 Adjusting main flow (EPVA..N(H).MZ..)

Loosen hex. head screw (901/1). The main flow can be adjusted by means of the adjusting pin main flow (251/2). After setting of the main flow the adjusting pin (251/2) is to be fixed by the hex. nut (901/1).

### 4.3 Adjusting opening delay (EPVA..N(H).MZ..)

Loosen and remove the screwed plug (904/2). After that use a hexagon socket head wrench to screw in the adjusting pin brake (251/1) by turning to the right until the desired time of opening delay has been achieved. After successful setting of the delay time close the bore by means of screwed plug (904/2).



#### NOTICE!

The opening time of the valve depends on the temperature of the environment. In case of a temperature of  $-20^{\circ}\text{C}$  the opening time despite of the same setting of the adjusting pin brake (251/1) will be longer than in case of the said setting at room temperature.

Therefore we recommend to do the fine adjustment during operation running.

If the opening delay is no longer sufficient after prolonged operation, the latter must be exchanged. See item 8.3

### 4.4 Technical data

**Opening times:** < 1s – 7s, depending on opening delay

**Closing times:** < 1s

**Drive types** and air consumption in standard litre (NL) per connection at 4 bar control pressure.

Flange DN Flange ANSI	15 1/2"	20 3/4"	25 1"	32 1 1/4"	40 1 1/2"	50 2"	65 2 1/2"
05-4-EPVA..N(H).(MZ)..	-	-	-	-	-	-	KA 50 0,2 NL
1-4-EPVA..N(H).(MZ)..	-	-	-	-	-	KA 50 0,2 NL	-
2-4-EPVA..N(H).(MZ)..	-	-	-	-	KA 50 0,2 NL	-	-
3-6-EPVA..N(H).(MZ)..	-	-	-	-	-	KA 50 0,25 NL	-
5-4-EPVA..N(H).(MZ)..	KA 50 0,2 NL	KA 50 0,2 NL	KA 50 0,2 NL	-	-	-	-
6-4-EPVA..N(H).(MZ)..	-	-	-	KA 50 0,2 NL	-	-	-
6-6-EPVA..N(H).(MZ)..	-	-	-	KA 50 0,25 NL	-	-	-
10-6-EPVA..NH).(MZ)..	-	-	KA 50 0,25 NL	KA 50 0,25NL	-	-	-

#### Max. valve loading by pipe power to DIN EN 161

The indicated moments may not work longer than 10s.

DN		15	20	25	32	40	50	65	80	100	125	≥150
<b>Torsion</b>	Nm	50	86	125	160	200	250 <sup>1)</sup>	325 <sup>1)</sup>	400 <sup>1)</sup>	-	-	-
<b>Bending</b>	Nm	105	225	340	475	610	1100	1600	2400	5000	6000	7600

<sup>1)</sup> Not valid in case of valves with flanges

#### Starting torque, pipe screws greased

DN		15	20	25	32	40	50	65	80	100	125	≥150
<b>Torque</b>	Nm	30	30	30	50	50	50	50	50	80	160	160

#### Starting torque, product screws and nuts greased

Screw		M6	M8	M10	M12	M16	M20	M24
<b>Torque</b>	Nm	5	11	22	39	70	110	150

## 4.5 Marking

The type sign on the pneumatic drive has the following information:

- Fabricator
- Valve type, nominal width, pressure and temperature indication, fitting position
- Year of construction/ production no.
- Product ID No. to EU/2016/426
- Valve class and valve group acc. to DIN EN 161, DIN EN 16678
- CE-sign and no. of relevant location to 2014/68/EU
- Fluid group and test pressure PT to 2014/68/EU
- Pneumatic drive type
- Control medium,  $p_{min}$  and  $p_{max}$  for control medium.

Refer also to section 10.0.

## 5.0 Installation

### 5.1 Warning of dangers during installation, operation and maintenance



#### **DANGER!**

Safe operation of the valve can only be guaranteed if it is installed, commissioned and maintained by qualified personnel (see point 2.3 "Qualified staff") correctly and in observance of the warnings in this operating manual. Apart from that, the operation safety order and the qualified use of tools and protection equipment must be guaranteed. The operating instructions for the valve must be observed during all work on or with the valve. Failure to observe these instructions may result in injury or in damage to the valve or other installations.

When the valve is used as a final sealing element, a safety precaution e.g. blanking disc, blind flange, etc., in accordance with the code of practice of the German Technical and Scientific Association for Gas and Water (DVGW) is recommended during all repair work.

### 5.2 Installation

Apart from the general installation guidelines, the following points should be observed:



#### **NOTICE!**

- Remove the flange covers.
- The inside of the valve and the pipeline must be free from foreign particles.
- Observe the installation position in relation to the flow direction, see markings on the valve.
- Centre gaskets between the flanges.
- The connecting flanges must be aligned.
- Ensure that none of the components is strained during installation.
- The valve must not be used as a fixed point; it is supported by the pipework system.
- Protect valves from soiling, particularly during construction work.
- Thermal expansion of the pipework must be equalized using compensators.

In accordance with DIN EN 16678 and DIN EN 161, a dirt trap must be installed upline of any safety shut-off device. The mesh size of the screen must be smaller than 1.5 mm and not allow a test mandrel of 1 mm diameter to pass. Where two safety shut-off devices are combined to form a group, one dirt trap installed upstream of the first valve is sufficient. The dirt trap must be installed not too far upline of the first valve. The UNI-Geräte dirt traps of the SFR Series are approved for use together with the gas pneumatic valves in accordance with EU/2016/426.



The valve can be installed with vertical or horizontal pneumatic drive. The solenoid drive of the control valve should preferably be installed with vertical drive. The control air must be connected at connection 1. We recommend an air filter in front of the control valve. Mesh size 40 µm.



**NOTICE!**

Please observe the control valve operating instructions (BTA).

## 6.0 Operation



**DANGER!**

Before commissioning a new installation or before starting up an installation again after repairs or modifications, ensure:

- The proper completion of all installation and assembly work!
- Commissioning only by “qualified staff” (see point 2.3).
- Installation or repair of existing guards and protection equipment.

### 6.1 Commissioning

- Before commissioning, check the data on material, pressure, temperature and flow direction with the layout plan of the pipework system.
- Depending on the field of application, the local regulations have to be observed, e.g. the operation safety order.
- Residues in the pipework and the valve (dirt, weld beads, etc.) will inevitably result in leaks.
- Leakage inspection of the installed valve.

### 6.2 Shutting down

- Depending on the field of application, the local regulations have to be observed, e.g. the operation safety order.

### 6.3 Maintenance

Gas – pneumatic valves have to be checked at regular intervals for proper function and internal leak tightness.

**UNI-Geräte prescribes the following maintenance intervals for valves with SIL requirements:**

The safety requirements with regard to the maintenance intervals to be adhered are described in the **SIL manual** of the type series and must be complied with.

### 6.4 Putting back into operation

When putting a valve back into operation, ensure that all the necessary steps described in section 5.2 (Installation) and section 6.1 (Commissioning) are repeated.

## 7.0 Troubleshooting

### 7.1 Detection of defects



**DANGER!**

**Be sure to observe the safety instructions during troubleshooting.**

If the malfunctions cannot be remedied using the following “**Troubleshooting plan (7.2)**” please contact the manufacturer.

In the event of faults in the function or operating behaviour of the valve, check whether the installation work was carried out and completed as described in this operating manual.

Depending on the field of application, the operation safety order must be observed.

Check the data on material, pressure, temperature, voltage and flow direction with the layout plan of the pipework system. In addition, check whether the operating conditions correspond to the technical data in the data sheet or on the rating plate.

## 7.2 Troubleshooting plan

Malfunction	Possible causes	Remedy
No flow	Pneumatic drive does not open	Switch on control valve (805) Check control pressure Clean filter control line, if necessary
	Working pressure too high	Compare working pressure with the data on the rating plate
	Flange covers were not removed	Remove flange covers
Low flow rate	contaminated dirty strainer	Clean / exchange sieve
	Clogging in the pipework system	Check pipework system
Valve leaking at seat, no internal tightness	Valve seat gasket (400) or valve seat (100) damaged by external particles	See section 8 or replace valve
No external tightness	Gaskets damaged	See section 8 or replace valve
Valve opens too slowly	Ventilation boring in pneumatic cylinder (111) closed	Open boring
	Control pressure too low	Check control pressure
Valve closes too slowly	Dirt in control line	Clean vent line
	Reduced conductor cross sections	Replace folded control lines
Valve does not close	Control valve does not close	Check, if residual voltage is aligned
	Dirt in control line	Clean vent line
	Reduced conductor cross sections	Replace folded control lines
Flange fracture (valve/pipework)	Screws not tightened uniformly, mating flanges not aligned	Align pipework. Install new valve



### NOTICE!

Observe section 9.0 before all installation and repair work!

Observe section 6.4 when putting the valve back into operation!

## 8.0 Dismantling of the Valve

In addition to the general installation guidelines and the operation safety order, the following points must also be observed:



### DANGER!

- Depressurised pipework system
- Cooled medium
- Emptied installation
- Vent pipework systems containing corrosive, inflammable, aggressive or toxic media
- Have dismantling work carried out only by qualified staff (see point 2.3)

### 8.1 Visual inspection

Shut down the valve as described in section 6.2.

Switch off control valve (805) and disassemble the control line from pneumatic drive. Assemble a shut-off valve in the drive connection. Put control medium within the permissible pressure range on the pneumatic drive. Close shut-off valve. The valve is open. Loosen the cylinder head screw (910). Disassemble the complete drive.

During the visual inspection, pay attention to the following points:

1. Damage to the valve seat (100).
2. Damage to the sealing elements.
3. Soiling or foreign particles in the valve housing (100)

When the valve seat is damaged, replace the valve chamber (100). If the sealing element becomes damaged the spare parts kit should be used. Remove contamination in the valve chamber (100).



**CAUTION!**

Before installation the valve chamber (100), grease the upper surface with lubricant Staburags N32 or equivalent material (DVGW-authorization). Renew flat gasket (402), assemble it properly and do not damage it in the course of assembly.

Assemble the valve in the reverse order to the dismantling.

Examine the valve for internal and external leaks in accordance with DIN EN 12266, DIN EN 16678 and finally carry out a function test.

## 8.2 Replacement of wear parts

Shut down the valve as described in section 6.2.

Switch off control valve (805) and disassemble the control line from pneumatic drive.

### Only by EPVA..N(H).MZ..

Unscrew hydraulic opening delay (096) holding it up by the housing flange (108) and put it onto a clean surface.

Fig. 1 EPVA..N.MZ../ EPVA..N..

Fig. 2 EPVA..NH.MZ../ EPVA..NH...



**NOTICE!**

Only in Fig. 2 Limit Deenergize. Dismantling of the Limit switch `s see data sheet 225 100 009 DE, GB



**CAUTION!**

**Opening of the pneumatic drive.**

**Loosen and remove the hex head screw (900) by slightly pressing the housing flange.**

Disassemble housing flange (108), pressure springs (503) and pneumatic cylinder (111). Loosen hex. nut (901). Remove drive piston (217).

Loosen and remove hex. socket screw (910). Pull off housing cylinder (205) via valve spindle (205).

All parts, marked as wearing part must be replaced. Loosen set screw (941) before disassembling the valve spindle (205). The valve spindle (205) will be disassembled by loosening the spindle nut (219).



**NOTICE!**

Two-piece ring (218) falls out.

Inspect valve spindle (205) concerning striae.

Inspect valve disk (200) with valve sealing (400) concerning damages and replace complete, if necessary.

Assemble the valve in the reverse order to the dismantling.

Grease the valve spindle (205) in the region of lip-rings (404), scraper ring (405) and of two-piece ring (218) with lubricant Staburags N32 or equivalent (DVGW-admittance).

Grease the pneumatic cylinder (111) in the area of the drive piston (217) with lubricant Klübersynth AR 43-402.



**CAUTION!**

Install wear parts carefully and properly and do not damage them during assembly.

Examine the valve for internal and external leaks in accordance with DIN EN 12266, DIN EN 16678 and finally carry out a function test.

### 8.3 Removal of the hydraulic opening delay (EPVA..N(H)..MZ..)

Unscrew the hydraulic opening delay (096) holding it up by the housing flange (108).

Installation will be done in the reverse order.



**NOTICE!**

The thread of the hydraulic opening delay is to be safeguarded against turning by means of Loctite 577 or some equivalent medium tight Loctite.

## 9.0 Warranty

Scope and period of the warranty is specified in the edition of the "General Terms of Business of the UNI-Geräte E. Mangelmann Elektrotechnische Fabrik GmbH" valid at the time of delivery or else in the purchase agreement.

We warranty that the valve is free from faults in line with the state of the art and for the confirmed field of application.

No warranty claims will be accepted for damage resulting from improper use or failure to observe these operating and installation instructions, the statutory accident prevention regulations, the EN, DIN and VDE standards and other codes and regulations.

Warranty claims will also not be accepted for damage occurring during operation due to operating conditions deviating from those specified in the data sheet or in other agreements.

Justified complaints will be remedied by reworking by us or specialist companies authorized by us.

Claims going beyond the scope of the warranty will not be accepted. The customer shall have no right to the supply of a replacement valve.

Maintenance work, installation of parts from other manufacturers, any modifications to the design and natural wear are not covered by the warranty.

Transport damage must be reported not to us but **without delay** to your responsible goods handling company, the railway company or the shipping agent as otherwise all claims for damages against these companies will be voided.

## 10.0 Explanation on Codes and Directives

The Commission of the European Union has laid down common directives for the free trading of goods within the Union specifying minimum requirements for safety and health protection. The CE symbol confirms that products comply with the EU directives resp. Regulations, i.e. in conformity with the relevant, in particular harmonised standards. Regulation EU/2016/426 and Directive 2014/68/EU are of relevance for the gas pneumatic valve (mechanical part).

### Notes on Regulation EU/2016/426 (Gas Appliances Regulation, GAR):

The valves have been developed, manufactured and tested in accordance with harmonised standard DIN EN 161, DIN EN 16678 and comply with the relevant requirements of the Union Regulation EU/2016/426. Unless otherwise stated separately, this has been confirmed by a type test.

### Notes on Directive 2014/68/EU (Pressure Equipment Directive, DGRL):

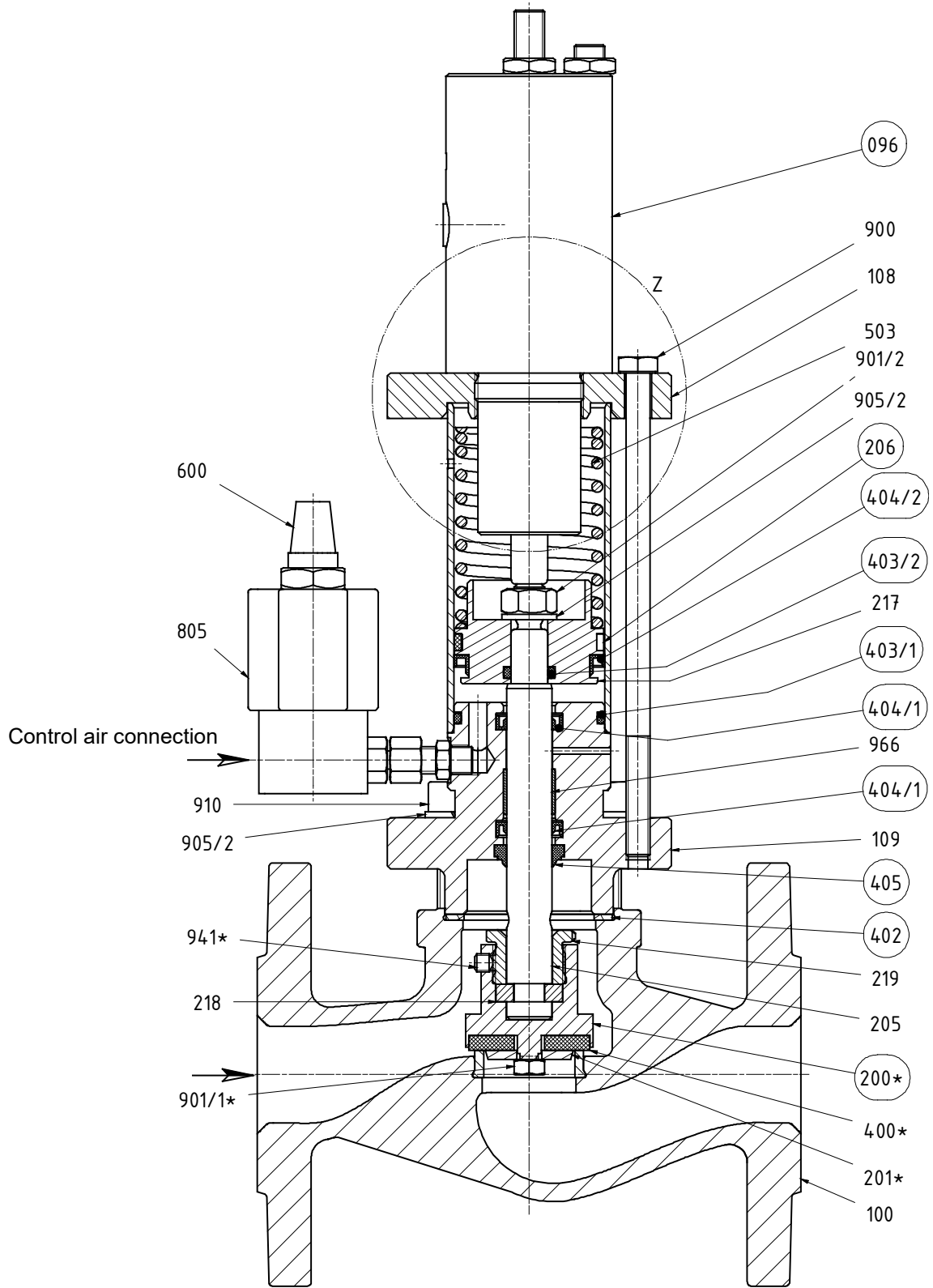
It has been confirmed that the quality assurance in design control, manufacture and final acceptance of the manufacturer, UNI-Geräte E. Mangelmann Elektrotechnische Fabrik GmbH, satisfy the requirements of 2014/68/EU Article 14 Module H. The gas solenoid valves comply with the fundamental requirements of Directive 2014/68/EU. Valves in according to Article 1 Paragraph 2,f,v or Article 4 paragraph 3 are not allowed to have the CE-Mark in according to Article 18.

### Note concerning ex-guideline 2014/34/EU (explosion guideline ATEX):

The product is not subject to guideline 2014/34/EU, since due to the loads occurring during practical operation, there is no effective source of ignition even in case of an error case to be assumed. This also applies to spring loaded components in gas-filled rooms. In case of electric drives, sensors or other electric components the application as per 2014/34/EU is to be checked separately.

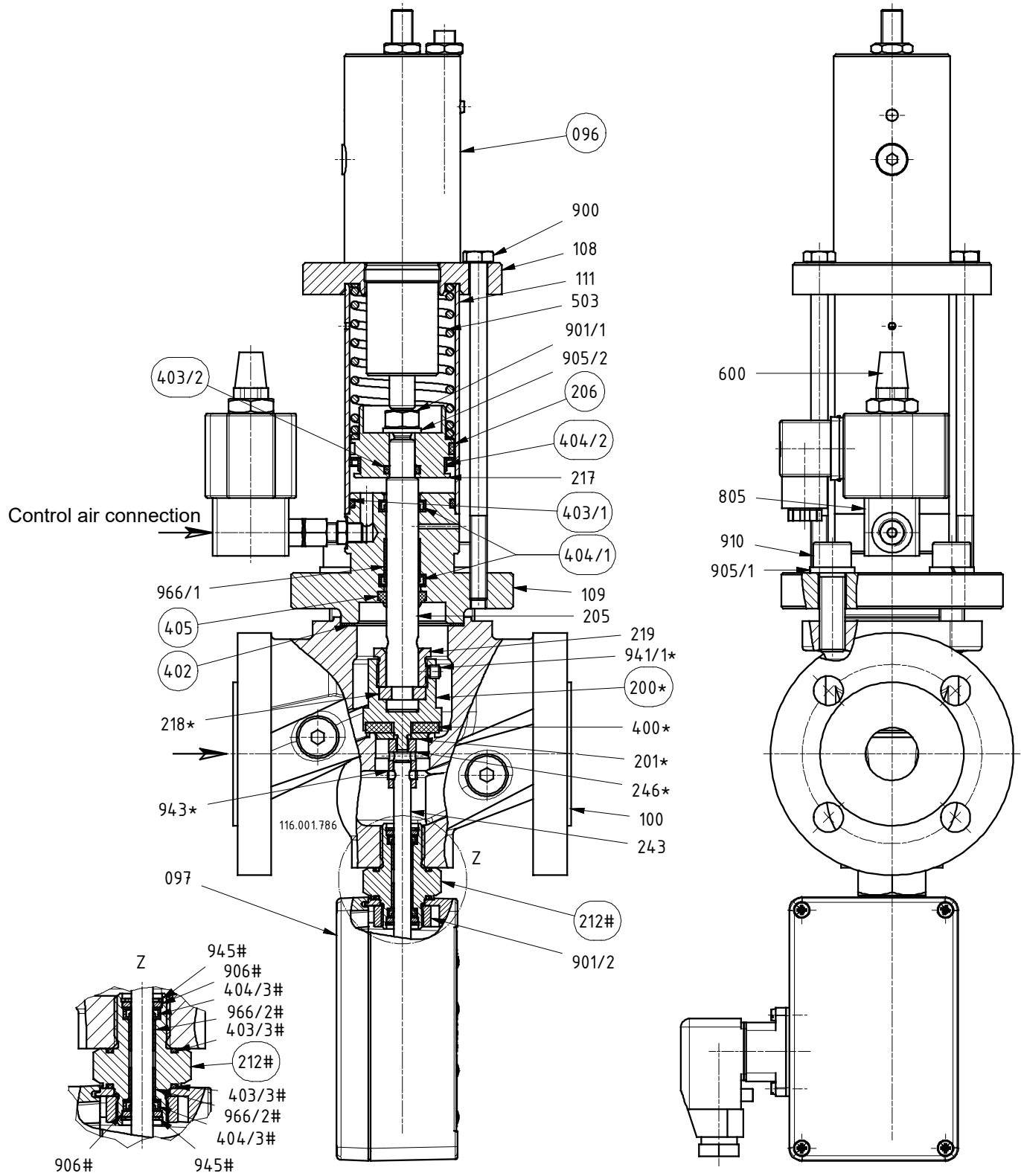
## 11.0 Drawing

11.1 Fig. 1 Sectional drawing ...EPVA..N.MZ...



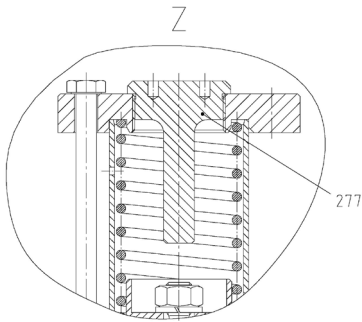
 = Spare part kit

Fig. 2 Sectional drawing EPVA..NH.MZ.. (Limit switch mounting)

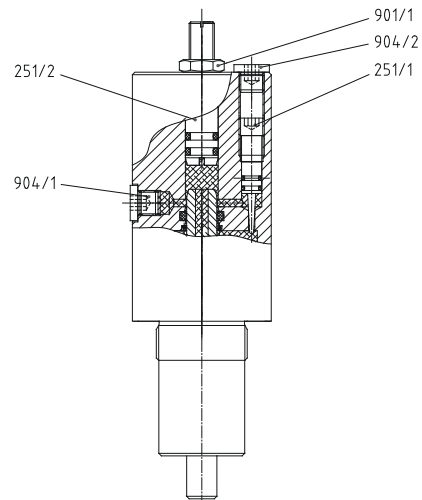


○ = Spare part kit

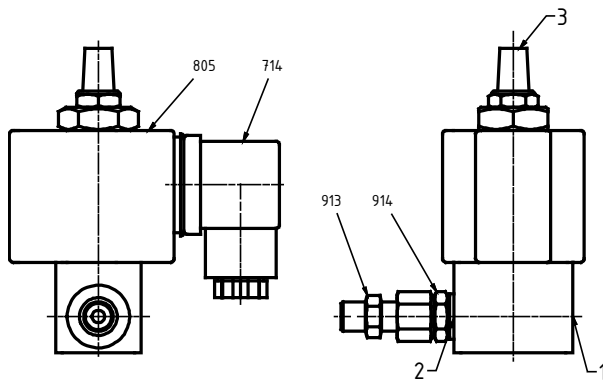
**Fig. 3 EPVA...N(H)...  
without opening delay**



**11.2 Opening delay (MZ)**

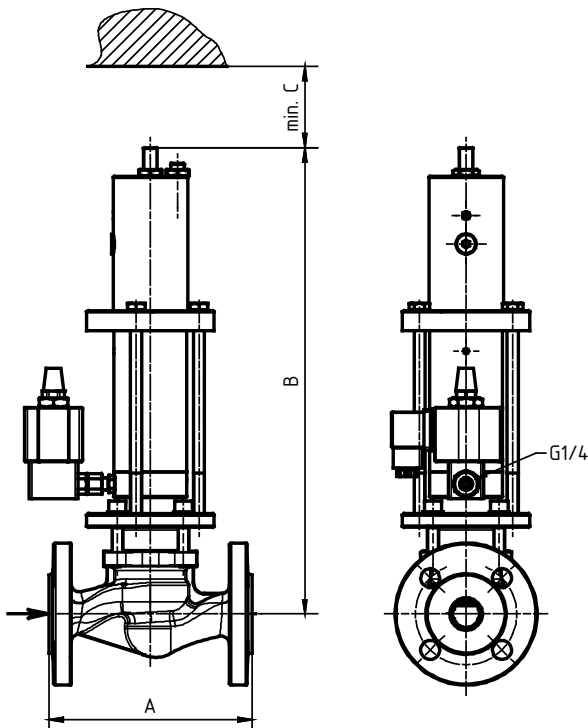


**11.3 Control valve**



**Connection 1 = Control air**  
**Connection 2 = Drive**  
**Connection 3 = Ventilation**

**11.4 Projection  
Fig. 1 EPVA..N.MZ..**



**Fig. 1 EPVA...N..**

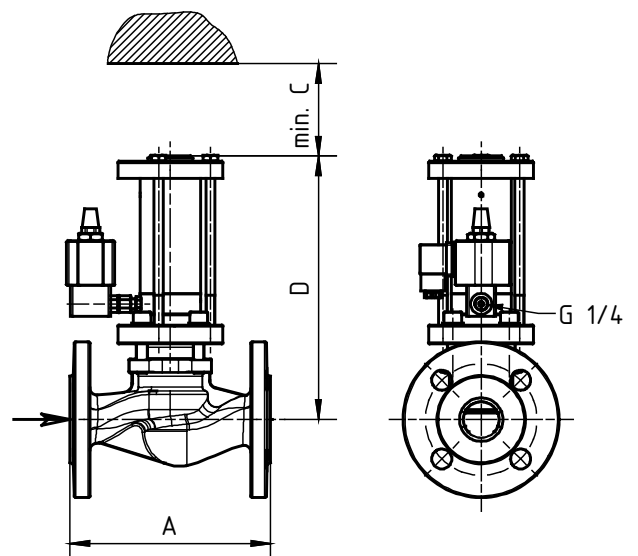




Fig. 2 EPVA..NH.MZ..

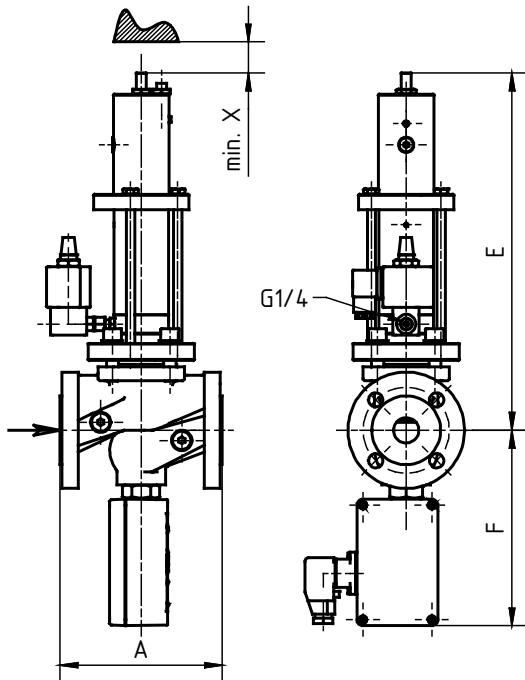
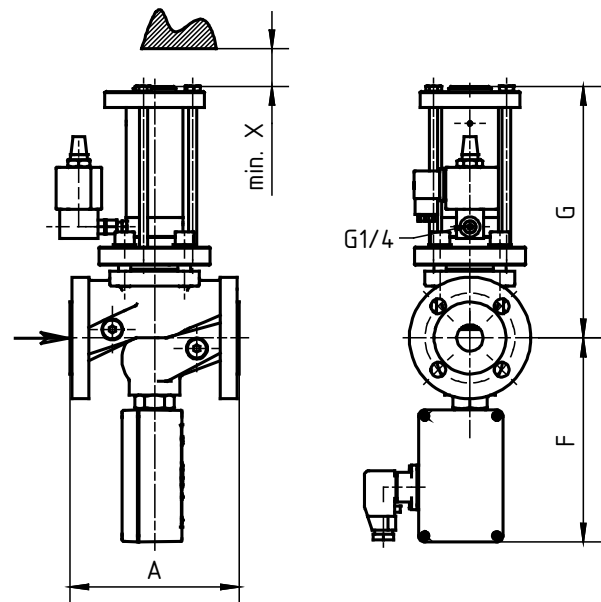


Fig. 2 EPVA...NH..



### 11.5 List of parts

Pos./ Item	Stück/ Qty.	Benennung	Description
096	1	Hydr. Öffnungsverzögerung	Opening delay
097	1	Endschalter- Anbau	Limit switch mounting
100	1	Ventilgehäuse	Valve chamber/ housing
108	1	Gehäuseflansch	Housing flange
109	1	Gehäusezylinder	Housing cylinder
111	1	Pneumatikzylinder	Pneumatic cylinder
200	1	Ventilteller	Valve disc
201	1	Tellerscheibe	Disk plate
205	1	Ventilspindel	Valve spindle
206	1	Führungsring	Guide ring
212	1	Spindelführung	Spindle guide
217	1	Antriebskolben	Drive piston
218	1	Zweiteiliger Ring	Two-piece ring
219	1	Spindelmutter	Spindle nut
243	1	Endschalterspindel	Limit switch spindle
246	1	Verbindungsstück Endschalter	Connecting pice limit switch
251/1	1	Einstellstift Bremse	Adjusting pin Brake
251/2	1	Einstellstift Hauptmenge	Adjusting pin main flow
277	1	Kolbenanschlag	piston limit stop
400	1	Ventiltellerdichtung	Valve disc sealing
402	1	Flachdichtung	Gasket
403/1	1	O-Ring	O-ring
403/2	1	O-Ring	O-ring
403/3	2	O-Ring	O-ring
404/1	2	Lippenring	Lip-ring
404/2	1	Lippenring	Lip-ring
404/3	2	Lippenring	Lip-ring
405	1	Abstreifring	Scraper ring
503	1	Druckfeder	Pressure spring
600	1	Schalldämpfer	Sound absorber
805	1	Steuerventil	Control valve

Pos./ Item	Stück/ Qty.	Benennung	Description
900	3	Sechskantschraube	Hex. Head screw
901	1	Sechskantmutter	Hex. nut
901/1	1	Sechskantmutter	Hex. nut
901/2	1	Sechskantmutter	Hex. nut
904/1	1	Verschlussschraube	Srewed plug
904/2	1	Verschlussschraube	Srewed plug
905/1	4	Federring	Lock washer
905/2	1	Federring	Lock washer
906	2	Scheibe	Washer
910	4	Zylinderschraube	Cylinder head screw
941/1	1	Gewindestift	Setscrew
943	1	Spannstift	Spring dowel sleeve
945	2	Sicherungsring	Safety ring
966/x	1/2	DU-Buchse	DU-liner

### 11.6 Spare part

Type	Fig.	Spare part
...-EVPA...N.MZ..	Fig.1	Spare part kit
...-EPVA...N...	Fig.1	Spare part kit (without opening delay)
...-EPVA...NH.MZ..	Fig.2	Spare part kit
...-EPVA...NH...	Fig.2	Spare part kit (without opening delay)

### 11.7 Dimension

Flange DN	Dimension	15	20	25	32	40	50	65
Instalation lenght	A <sup>1)</sup>	130	150	160	180	200	230	290
Flange ANSI	Dimension	1/2"	3/4"	1"	1 1/4"	1 1/2"	2"	2 1/2"
Instalation lenght	A <sup>2)</sup>	108	118	127	140	165	203	216
05-4 EPVA..N.(MZ)..	B	-	-	-	-	-	-	374
	C	-	-	-	-	-	-	80
	D	-	-	-	-	-	-	262
05-4 EPVA..NH.(MZ)..	E	-	-	-	-	-	-	378
	F	-	-	-	-	-	-	230
	X	-	-	-	-	-	-	70
	G	-	-	-	-	-	-	263
1-4 EPVA..N.(MZ)..	B	-	-	-	-	-	357	-
	C	-	-	-	-	-	75	-
	D	-	-	-	-	-	242	-
1-4 EPVA..NH.(MZ)..	E	-	-	-	-	-	368	-
	F	-	-	-	-	-	215	-
	X	-	-	-	-	-	70	-
	G	-	-	-	-	-	253	-
2-4 EPVA..N.(MZ)..	B	-	-	-	-	354	-	-
	C	-	-	-	-	70	-	-
	D	-	-	-	-	239	-	-
2-4 EPVA..NH.(MZ)..	E	-	-	-	-	360	-	-
	F	-	-	-	-	208	-	-
	X	-	-	-	-	70	-	-
	G	-	-	-	-	245	-	-
3-6 EPVA..N.(MZ)..	B	-	-	-	-	-	346	-
	C	-	-	-	-	-	75	-
	D	-	-	-	-	-	231	-
3-6 EPVA..NH.(MZ)..	E	-	-	-	-	-	368	-
	F	-	-	-	-	-	215	-
	X	-	-	-	-	-	70	-
	G	-	-	-	-	-	253	-

Flange DN Instalation lenght	Dimension A <sup>1)</sup>	15	20	25	32	40	50	65
Flange ANSI Instalation lenght	Dimension A <sup>2)</sup>	1/2"	3/4"	1"	1 1/4"	1 1/2"	2"	2 1/2"
5-4 EPVA..N.(MZ)..	B	344	344	352	-	-	-	-
	C	60	60	60	-	-	-	-
	D	229	229	237	-	-	-	-
5-4 EPVA..NH.(MZ)..	E	353	353	353	-	-	-	-
	F	190	190	193	-	-	-	-
	X	70	70	70	-	-	-	-
	G	238	238	238	-	-	-	-
6-4 EPVA..N.(MZ)..	B	-	-	-	352	-	-	-
	C	-	-	-	60	-	-	-
	D	-	-	-	237	-	-	-
6-4 EPVA..NH.(MZ)..	E	-	-	-	360	-	-	-
	F	-	-	-	208	-	-	-
	X	-	-	-	70	-	-	-
	G	-	-	-	245	-	-	-
6-6 EPVA..N.(MZ)..	B	-	-	-	-	354	-	-
	C	-	-	-	-	70	-	-
	D	-	-	-	-	239	-	-
6-6 EPVA..NH.(MZ)..	E	-	-	-	-	360	-	-
	F	-	-	-	-	208	-	-
	X	-	-	-	-	70	-	-
	G	-	-	-	-	245	-	-
10-6 EPVA..N.(MZ)..	B	-	-	334	352	-	-	-
	C	-	-	60	60	-	-	-
	D	-	-	219	237	-	-	-
10-6 EPVA..NH.(MZ)..	E	-	-	353	360	-	-	-
	F	-	-	195	208	-	-	-
	X	-	-	70	70	-	-	-
	G	-	-	238	245	-	-	-

A<sup>1)</sup> = Dimension at DIN (resp. flanges ANSI and dimension DIN or flanges and dimension at DIN)

A<sup>2)</sup> = Dimension at ANSI 150lbs (resp. flanges and dimension at ANSI)

C / X = Dimension for de-installation of the complete drive, or respectively, the hydraulic opening delay

D / G = Dimension without opening delay

## 12.0 Declaration of Conformity

UNI-Geräte E. Mangelmann  
Elektrotechnische Fabrik GmbH  
Holtumsweg 13  
D – 47652 Weeze



# EU

## Konformitätserklärung Declaration of Conformity

<b>Produkt / Product</b>	<b>Automatisches Absperrventil - schließend bei Ausfall der Hilfsenergie / Automatic shut off valve - closing in case of failure of auxiliary power</b>		
<b>Handelsbezeichnung / Trade Mark</b>	<b>Pneumatikventil / Pneumatic valve</b>		
<b>Baureihe / Series</b>	<b>...AEPV... / ...EPVA...</b>		
<b>Nennweiten / Size</b>	<b>DN 15<sup>a)</sup> / 20<sup>a)</sup> / 25<sup>a)</sup> / 32<sup>a)</sup> / 40<sup>a);b)</sup> / 50<sup>a);b)</sup> / 65<sup>a);b)</sup> / 80<sup>a);b)</sup> / 100<sup>a);b)</sup> / 125<sup>a)</sup> / 150<sup>a)</sup> / 200<sup>a)</sup> / 250<sup>a)</sup> / 300<sup>a)</sup> / 350<sup>a)</sup> / 400<sup>a)</sup></b>		
<b>Druckstufe / Pressure Stage</b>	<b>PN 16<sup>a);b)</sup> / 40<sup>a);b)</sup></b>		
<b>Fluidgruppe / Fluid Group</b>	<b>Brennbare Gase, FL. Gr.1 / Flammable gases, FL. Gr.1</b>		
<b>EU - Richtlinien / EU - Directives</b>	<b>EU2016/426<sup>a)</sup> Gasgeräteverordnung / Gas Appliance Regulation 2014/68/EU<sup>b)</sup> Druckgeräterichtlinie / Pressure Equipment Directive</b>		
<b>Konformitätsbewertungsverfahren / Conformity Assessment Procedure</b>	<b>Modul B + D - EU/2016/426<sup>a)</sup>; Modul H - 2014/68/EU<sup>b)</sup></b>		
<b>Angewandte technische Spezifikation / Applied Technical Specification</b>	<b><sup>a)</sup>DIN EN 161:2013-04; DIN EN 16678:2016-02; DIN EN 13611:2016-09; <sup>b)</sup>DIN EN 16668:2018-05; DIN EN 12266:2012-04</b>		
<b>Baumusterprüfung / Type Examination</b>	<b>CE-0085AQ0211<sup>a)</sup></b> <b>DVGW CERT GmbH</b> <b>Josef-Winter-Str. 1-3</b> <b>D-53123 Bonn</b> <b>Zertifizierungsstelle / Notified Body 0085</b>	<b>EU/2016/426</b>	<b>Modul B</b>
<b>Überwachungsverfahren / Surveillance Procedure</b>	<b>SE-0085BL7038<sup>a)</sup></b> <b>DVGW CERT GmbH</b> <b>Josef-Winter-Str. 1-3</b> <b>D-53123 Bonn</b> <b>Zertifizierungsstelle / Notified Body 0085</b>	<b>EU/2016/426</b>	<b>Modul D</b>
	<b>CE-0062-PED-H-UGM 001-23-DEU<sup>b)</sup></b> <b>Bureau Veritas Services SAS</b> <b>8 Cours du Triangle</b> <b>92800 PUTEAUX – LA DEFENSE</b> <b>Zertifizierungsstelle / Notified Body 0062</b>	<b>2014/68/EU</b>	<b>Modul H</b>
<b>Kennzeichnung / Marking</b>	<b>CE - 0085<sup>a)</sup></b> <b>0062<sup>b)</sup></b>	<b>oder/lor</b>	<b>CE - 0085<sup>a)</sup></b>

Das Unternehmen UNI Geräte E. Mangelmann Elektrotechnische Fabrik GmbH erklärt in alleiniger Verantwortung, dass die o.a. Baureihe die grundsätzlichen Anforderungen der aufgeführten Richtlinien und Normen erfüllt.

UNI Geräte E. Mangelmann Elektrotechnische Fabrik GmbH confirms under the sole responsibility of the manufacturer, that the basic requirements of the above specified directives and standards are fulfilled.

Weeze, 24.01.2023

Ort und Datum / place and date

  
Geschäftsführer / Managing Director  
Norbert Schneider

<sup>a); b)</sup> Anwendung in Abhängigkeit von Nennweite und / oder Druckstufe: / Application depending on size and / or pressure stage: DN ≤ 25 und / oder PS ≤ 0,5bar siehe Diagramm 6, oder Kat.1 + erfasst von EU/2016/426, fallen nicht in den Anwendungsbereich der 2014/68/EU.

Die Baureihe ...AEPV... ist nicht unter der CE-0062-PED-H-UGM 001-20-DEU abgedeckt.

DN ≤ 25 and / or PS ≤ 0,5bar see diagram 6, or Kat.1 + under the scope of EU/2016/426, are not covered by the scope of the EU-Directive 2014/68/EU. The series ...AEPV... is not covered under the CE-0062-PED-H-UGM 001-20-DEU 250.100.001-04

UNI-Geräte E. Mangelmann  
Elektrotechnische Fabrik GmbH  
Holtumsweg 13  
D – 47652 Weeze



## UK Declaration of Conformity UK Konformitätserklärung

**We / Wir:** UNI-Geräte E. Mangelmann  
Elektronische Fabrik GMBH  
Holtumsweg 13  
D – 47652 Weeze

**Declare that / Erklären hiermit:**

**Product / Produkt** Automatic shut off valve – current less closed  
Automatisches Absperrventil – stromlos geschlossen

**Trade Mark / Handelsbezeichnung** Pneumatic valve / Pneumatikventil

**Series / Baureihe** ...EPVA... / ...AEPV...

**Size / Nennweiten** DN 15 / 20 / 25 / 32 / 40 / 50 / 65 / 80 / 100 / 125 / 150 / 200 / 250 / 300 / 350 / 400

**Pressure Stage / Druckstufe** PN 16 / 40

**Fluid Group / Fluidgruppe** Gas type of the 1st, 2nd and 3rd family gases  
Gasart der 1., 2. und 3. Gasfamilie

**Satisfies the essential requirements of the Regulation 2016/426 on gas appliances as brought into UK law and amended and is manufactured in accordance with the UK designated standards:**  
*Erfüllt die grundlegenden Anforderungen der Verordnung 2016/426 für Gasgeräte in der im Vereinigten Königreich geltenden und geänderten Fassung und wird in Übereinstimmung mit den im VK festgelegten Normen hergestellt:*

**Standards Numbers / Normen Nummern:** BS EN 161:2011+A3:2013, BS EN 16678:2015

**BSI has performed the following conformity assessment procedures specified in the Regulation 2016/426 on gas appliances as brought into UK law and amended:**

*Das BSI hat die folgenden Konformitätsbewertungsverfahren durchgeführt, die in der Verordnung 2016/426 für Gasgeräte, wie sie in britisches Recht umgesetzt und geändert wurde, festgelegt sind:*

**Annex III Module B (Type Examination) and issued the Certificates below:**

**UKCA Module B certificate: (Certificate No.) UKCA 772965**

*Anhang III Modul B (Baumusterprüfung) geprüft und die nachstehenden Bescheinigungen ausgestellt:  
UKCA-Modul-B-Zertifikat: (Zertifikats-Nr.) UKCA 772965*

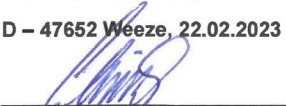
**Annex III Module D (Conformity to Type based on Quality Assurance of the Production Process) and issued the Certificates below:**

**UKCA Module D certificate: (Certificate No.) UKCA 772905**

*Anhang III Modul D (Konformität mit der Bauart auf der Grundlage der Qualitätssicherung des Produktionsprozesses) und stellte die nachstehenden Zertifikate aus:  
UKCA-Modul-D-Zertifikat: (Zertifikats-Nr.) UKCA 772905*

**Approved Body / Zugelassene Stelle:** BSI Assurance UK Limited (Approved Body No. 0086)  
**Address / Adresse:** Kitemark Court, Davy Avenue,  
Knowlhill Milton Keynes MK5 8PP UK.

**This declaration of conformity is issued under the sole responsibility of the manufacturer.**  
*Diese Konformitätserklärung wird unter der alleinigen Verantwortung des Herstellers ausgestellt.*

**Name / Name:** Norbert Schneider  
**Title / Position / Funktion:** Dipl. Ing. / Managing Director / Geschäftsführer  
**Place & date of issue / Ort und Datum der Ausstellung:** D – 47652 Weeze, 22.02.2023  
**Signature / Unterschrift:** 

250.100.576-00